



Job Aid

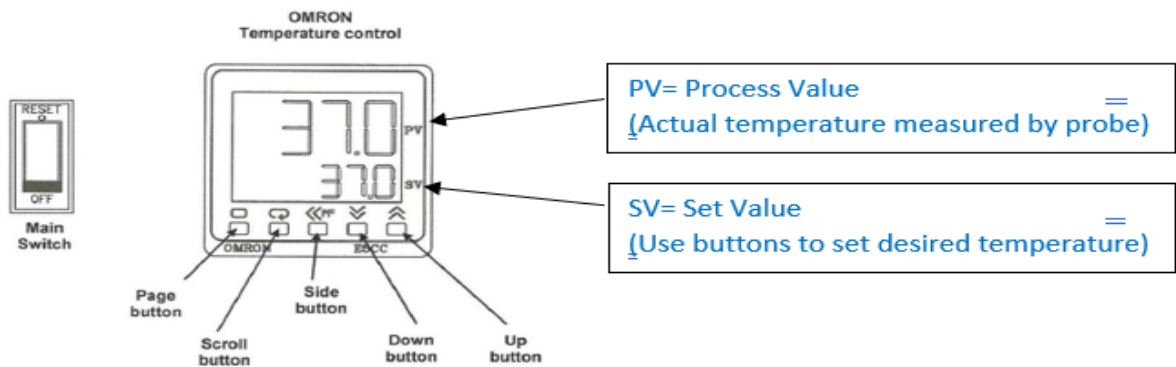
Document G_90_J_11_A Author: W Jackson Authorised: W Porau 26/03/2022 Review: 26/03/2025

To change temperature on thermoline instruments

TEMPERATURE CONTROLLER / SENSOR



Maximum recommended temperature is 100°C.



○ Page button: Used to view calibration offset parameter.

○ Scroll button: Not used by the operator.

◀ PF Side arrow: Used to move the cursor when changing temperature.

⏴ Down arrow: Used to decrease parameter setting.

⏵ Up arrow: Used to increase parameter setting.

Keys to set temperature

To change the value of SV temperature.

1. Press and select digit to change.
2. Digit will flash once selected
3. Use ⏴ and ⏵ to change value
4. Yellow 'OUT1' light flashes when element heating.

Yellow OUT1 Light

